

AUTOMATIC SOLUTIONS

AUSSIE QUICK START INSTRUCTIONS

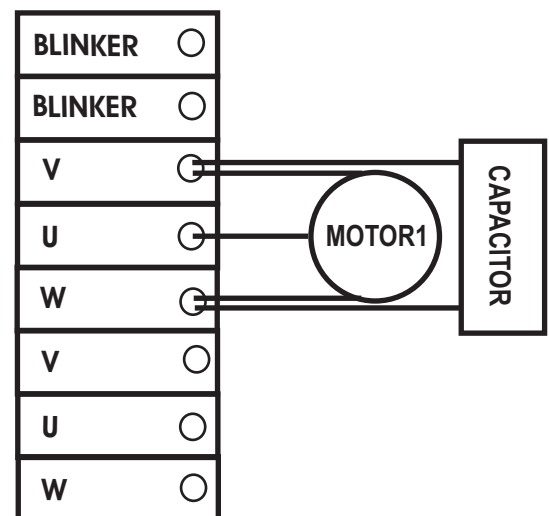
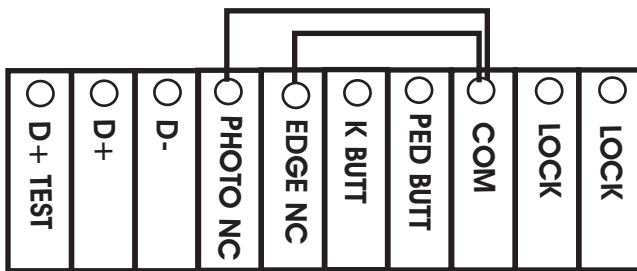
IMPORTANT - READ THIS FIRST

These instructions are intended as a quick start guide and should be used in conjunction with the manufacturer supplied instructions. These instructions provide you with a basic setup and are based on common installations in Australia. All electrical work in this country is to be performed by licensed electrical contractors. Electricity can kill.

T2 - LOGIC CONTROL BOARD - SINGLE KING

The following instructions cover basic control board setup and programming and assume that you have undertaken the following steps beforehand -

1. That your gate moves freely in manual mode with motor attached.
2. That your gate has secure open and close position stops.



The diagram above left shows two loops which must be inserted in the terminals shown before any programming can commence. Two small, lightweight lengths of wire (40mm long with ends stripped) will work perfectly. The diagram on the right shows motor wiring with the capacitor in parallel with the open and close actives of the motor. The middle terminal "U" is the neutral (blue) wire. At this point also insert a 150mm length of lightweight cable with one end stripped into the terminal marked antenna core (far left on block J3) and leave the other end free.

IMPORTANT - For single gate installations remove jumper "JP17"

PROGRAMMING -

1. Position your gates about midway and lock into automatic mode. Turn TR1 (torque) and TR2 (slow speed) both to about half or below. Turn on the power and turn on Dip1. Press and hold S3 (PROG button), the gate should open and the green led "DL5" should light. Release S3, the gate stops, press and hold S3 again and the gate should close with red led "DL6" lit. If your motor direction and LED lights do not match you will need to reverse your motor wires. To do this turn off and isolate the power, swap motor 1 terminals "V" and "W". Turn on the power and retest. When satisfied drive the gates all the way to the closed position and turn off Dip1.
2. Turn on Dip2. Press and release S3, the gate should open. When the gate stops at your opening stop wait one second and press S3 to cut the motor. The amount of time you wait at this point before pressing S3 again will determine your automatic closing delay if you are using this function. Wait the desired amount of time and press and release S3. The gate will close, when fully closed you may turn Dip2 off.
3. Turn Dip1 on immediately followed by Dip2. Within the next ten seconds press the button on any remote control that you wish to program to the gate. A short green flash indicates a successful transmission. You now have ten seconds to program the next remote control and so on. When complete wait ten seconds and turn off Dip2 followed by Dip1.
4. You may now test your installation and if satisfied begin adding other accessories as you wish one at a time ensuring correct operation after each addition.

NEED MORE HELP

Email support - info@automaticsolutions.com.au
If you are still stuck call our support line on 0419 990 719