

AUTOMATIC SOLUTIONS

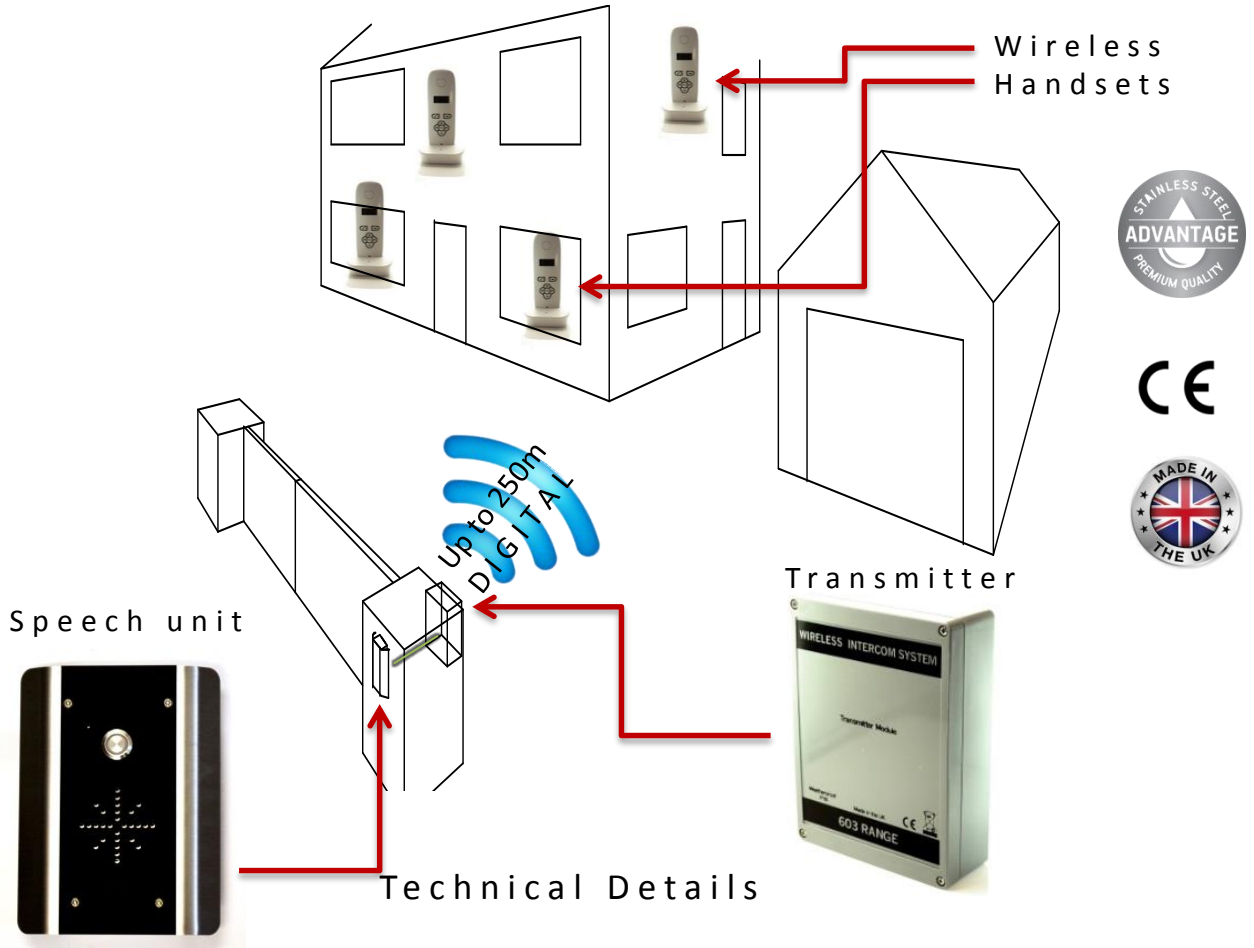
EntréePhone 603 DECT Wireless Intercom



- Digital D.E.C.T wireless intercom system.
- Working range of 200 metres (up to 400 metres open field conditions).
- Up to 4 handsets per system.
- 2 relays!
- Simple setup and install.
- Keypad option for coded access.
- Marine grade stainless steel constructed panels with toughened gloss acrylic trim.
- Built in voicemail feature for missed callers, user can listen to messages on handset.
- Make internal calls between handsets.
- 2 year manufacturers warranty.

AUTOMATIC SOLUTIONS

Entrée Phone 603 DECT Wireless Intercom



Power Supply	12v dc (adaptor included)	Cable between speech unit & transmitter	Screened CAT5
Current Consumption	50mA standby, 250mA calling	Max cable length	4 meters (recommend short as possible)
Relay Outputs	2	Cable cores	2 x SPK, 2 x MIC, 2 x power, 2 x button
Relay type	N/O & N/C contacts	Speech unit IP rating	IP55
Relay time	Fixed 4 seconds	Transmitter IP rating	IP65
Relay load	2A 24v AC max	Manufacturer Warranty	2 year return to base warranty
Technology type	1.88GHz DECT Digital Technology	Keypad programming	On the keypad
Handsets per system	4	Keypad codes	1200 total
		Wiegand output	Yes, 26 or 34 bit

AUTOMATIC SOLUTIONS

Entrée Phone 603 DECT Wireless Intercom



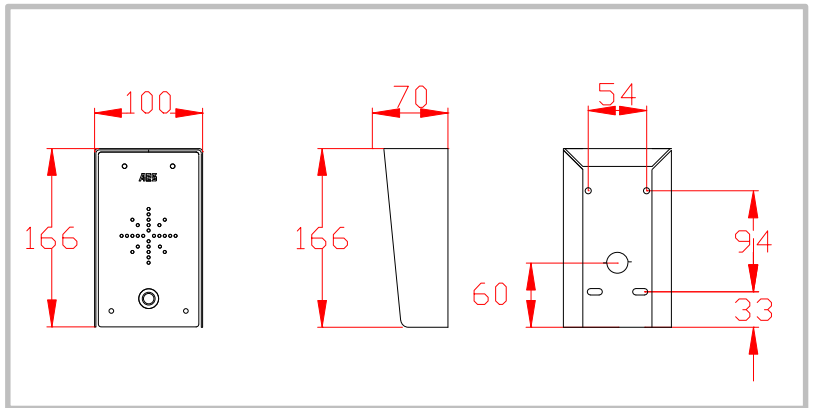
- Easy to use handset, simple answer and end call button.
- Door release button can also be used when a call is not active (press and hold to release door or gate).

Technical Details

Power Supply	5v dc (adaptor included)
Technology type	1.88GHz DECT Digital Technology
Handsets per system	4
Handset Battery	AAA Ni-mH rechargeable
Handset battery life	24 hours between charging

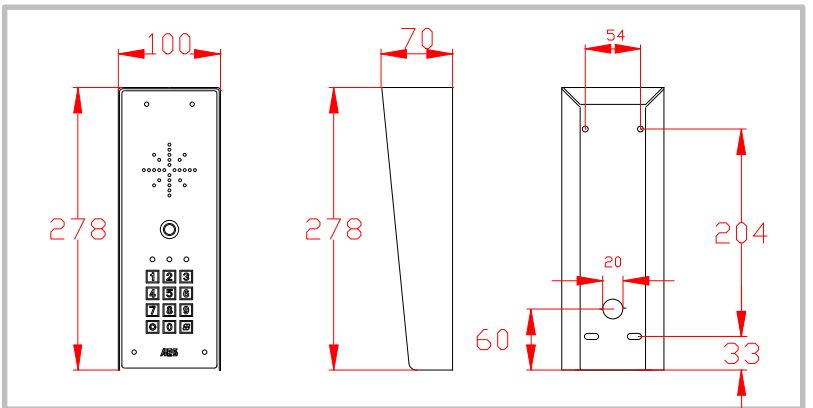
AUTOMATIC SOLUTIONS

Entrée Phone 603 Kits & Part numbers



603-HB (Hooded Model)

- Hooded model, for a more traditional yet smart look.
- BS316 marine grade stainless steel construction with gloss black face trim.
- Built for tough environments.
- Illuminated push button.
- Kit includes speech panel, transmitter module, power supply, 3 metres screened CAT5 cable, handset, charging base, charger and install manual.

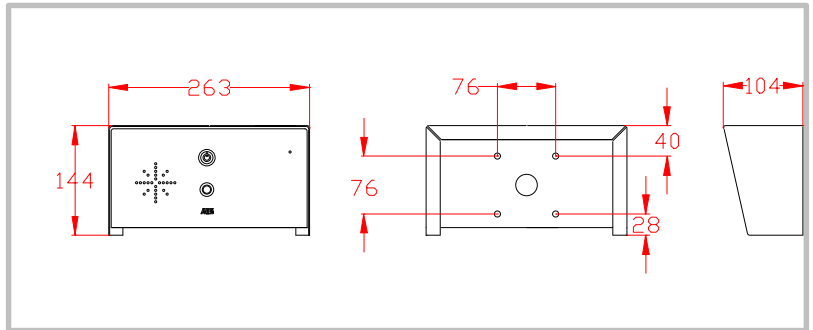


603-HBK (Hooded Model With Keypad)

- Hooded with keypad for a more traditional yet smart look.
- Built in, illuminated code-lock keypad for access control.
- Keypad includes 3 relays, 1200 codes, with latching & momentary operation + more.
- BS316 marine grade, brushed stainless steel construction with gloss acrylic trim.
- Kit includes speech panel, transmitter module, power supply, 3 metres screened CAT5 cable, handset, charging base, charger, and install manual.

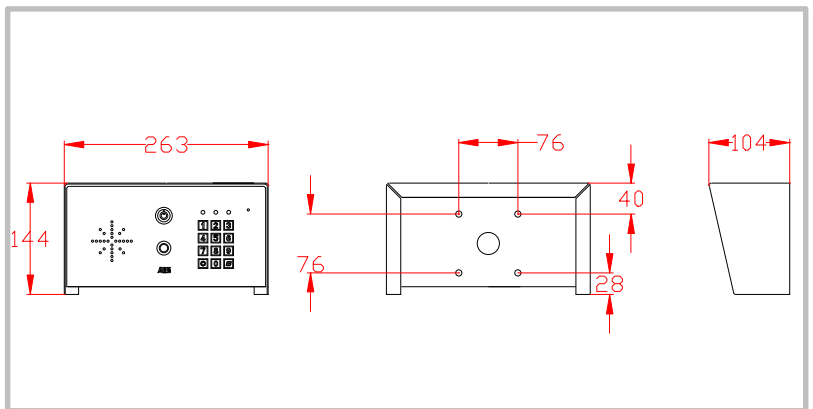
AUTOMATIC SOLUTIONS

Entrée Phone 603 Kits & Part numbers



603-iB (Industrial Model)

- Industrial model for high volume applications on pedestals, vehicle entrances etc.
- Super loud 4 watt speaker, and sensitive microphone.
- Brushed stainless steel construction with gloss acrylic trim.
- Illuminated push button.
- Kit includes speech panel, transmitter module, power supply, 3 metres screened CAT5 cable, handset, charging base, charger and install manual.

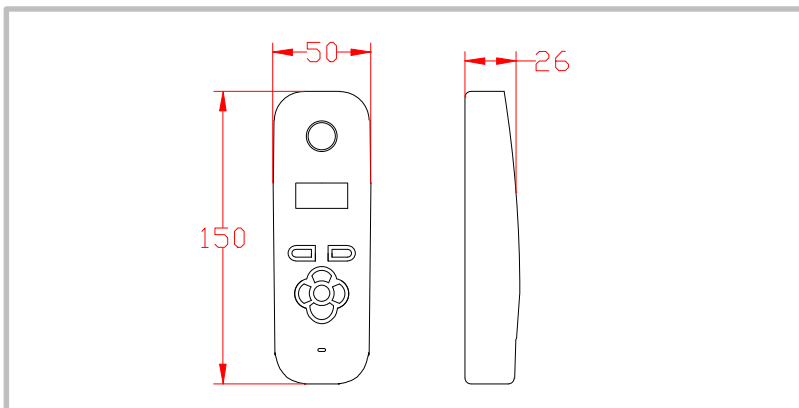


603-iBK (Industrial Model With Keypad)

- Industrial model for high volume applications on pedestals, vehicle entrances etc.
- Super loud 4 watt speaker, and sensitive microphone.
- Illuminated keypad includes 3 relays, 1200 codes, with latching & momentary operation + more.
- Brushed stainless steel construction with gloss acrylic trim.
- Kit includes speech panel, transmitter module, power supply, 3 metres screened CAT5 cable, handset, charging base, charger, and install manual.

AUTOMATIC SOLUTIONS

Entrée Phone 603 Kits & Part numbers



603-EH (Extra Handset)

- Add up to 3 extra handsets to any 603 kit (4 handsets in total).
- Make internal calls between handsets.
- Complete with charging base and plug in charger.