

AUTOMATIC SOLUTIONS

CE

CellCOM
GSM Audio Intercom



CellCOM

- GSM intercom for unlimited range access control.
- Makes phone calls on a SIM card, just like a cell phone.
- Can call up to 4 numbers in sequence (depending on model).
- Can call both fixed line and mobile phones.
- Caller ID feature built in for access control for up to 100 numbers.
- Optional iPhone and Android apps available for advanced control of relay outputs.
- 2 year manufacturers warranty.
- IP56 rated panels.
- BS-316 marine grade brushed stainless steel and reinforced gloss black acrylic construction.

AUTOMATIC SOLUTIONS

CellCOM GSM Audio Intercom



Technical Details

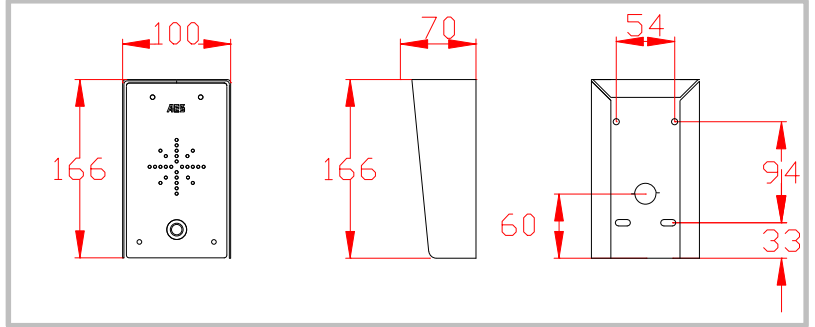
	<u>CellCOM Standard</u>	<u>CellCOM PLUS</u>
Power Supply	15v dc adaptor included.	24v dc adaptor included.
GSM PCB Relays	1	2
Relay type	N/C or N/O, momentary & latching	N/C or N/O, momentary & latching
Dialling numbers	3	4
Caller ID numbers	100	100
Alert when gates triggered	✗	✓
Modem standby	45mA	45mA
Max current consumption	250mA, 2 amp peak	250mA, 2 amp peak

Keypad Specs

Relays	3, with N/C & N/O contacts, latching and momentary operation
Relay load	2A 24v AC max
Keypad codes	1200 codes
Consumption	16mA standby, 200mA peak when relay triggered

AUTOMATIC SOLUTIONS

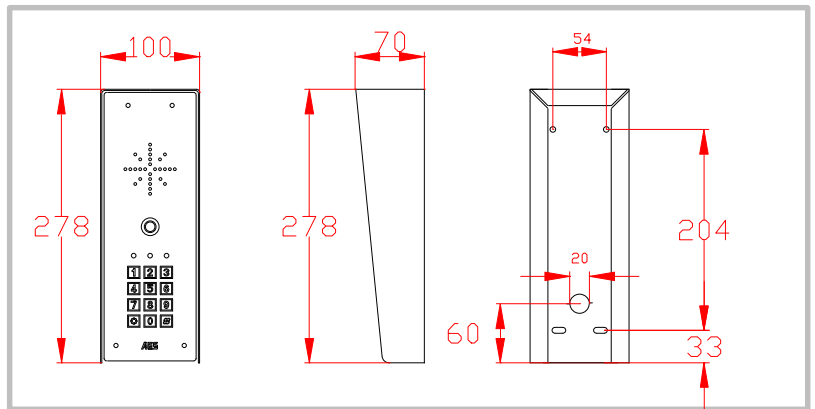
CellCOM Kits & Part numbers



GSM-3HB (Standard Hooded model)

GSM-4HB (PLUS Hooded model)

- Hooded model, for a more traditional yet smart look.
- BS316 marine grade stainless steel construction with gloss black face trim.
- Built for tough environments.
- Illuminated push button.
- Kit includes speech panel, antenna, power supply & install manual.
- For Plus model additional features, please refer to pg2.



GSM-3HBK (Standard Hooded model with Keypad)

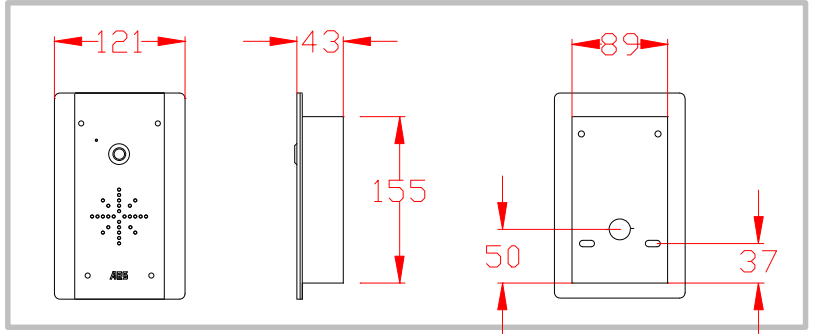
GSM-4HBK (PLUS Hooded model with Keypad)

- Stylish curved architectural model with keypad.
- Keypad includes 3 relays, 1200 codes, with latching & momentary operation + more.
- BS316 marine grade stainless steel construction with gloss black face trim.
- Built for tough environments.
- Kit includes speech panel, antenna, power supply & install manual.
- For Plus model additional features, please refer to pg2.

AUTOMATIC SOLUTIONS

CellCOM Kits & Part numbers

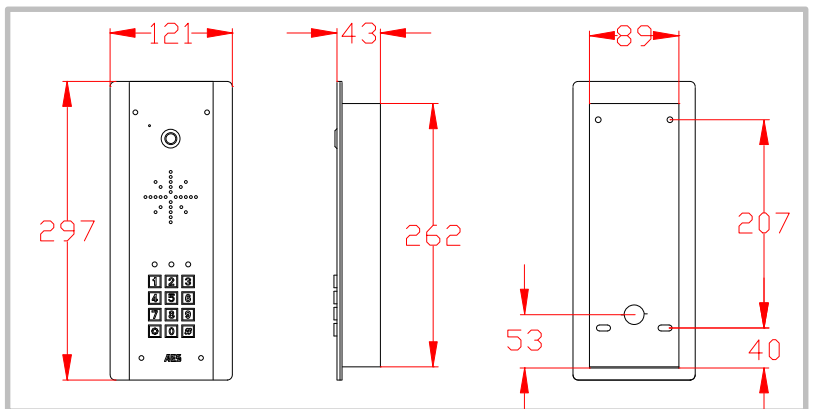
CellCOM



GSM-3FB (Standard Flush model)

GSM-4FB (PLUS Flush model)

- Flush mounted for a sleek, slim look.
- BS316 marine grade stainless steel construction with gloss black face trim.
- Built for tough environments.
- Illuminated push button.
- Kit includes speech panel, antenna, power supply & install manual.
- For Plus model additional features, please refer to pg2.



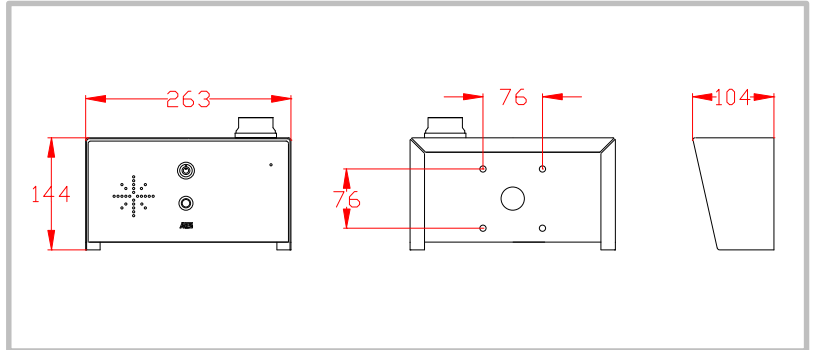
GSM-3FBK (Standard Flush model with Keypad)

GSM-4FBK (PLUS Flush model with Keypad)

- Flush mounted for a sleek, slim look.
- Keypad includes 3 relays, 1200 codes, with latching & momentary operation + more.
- BS316 marine grade stainless steel construction with gloss black face trim.
- Built for tough environments.
- Kit includes speech panel, antenna, power supply & install manual.
- For Plus model additional features, please refer to pg2.

AUTOMATIC SOLUTIONS

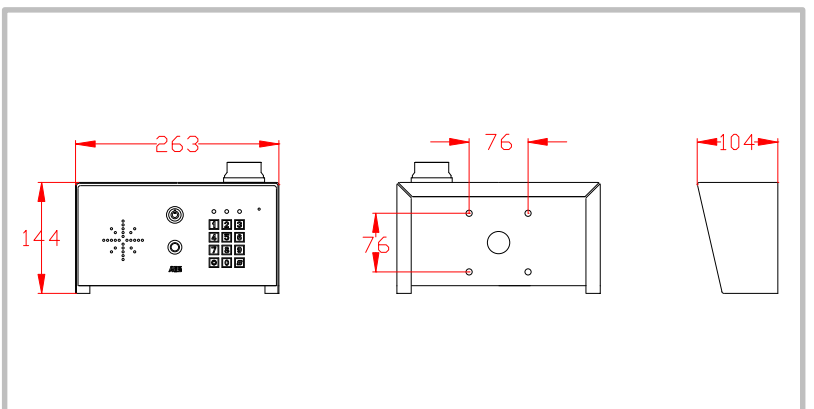
CellCOM
Kits & Part numbers



GSM-3iB (Standard Industrial model)

GSM-4iB (PLUS Industrial model)

- Industrial model for high volume applications on pedestals, vehicle entrances etc.
- Super loud 4 watt speaker, and sensitive microphone.
- Built for tough environments.
- Illuminated push button.
- Kit includes speech panel, antenna, power supply & install manual.
- For Plus model additional features, please refer to pg2.



GSM-3iBK (Standard Industrial model with Keypad)

GSM-4iBK (PLUS Industrial model with Keypad)

- Industrial model for high volume applications on pedestals, vehicle entrances etc.
- Super loud 4 watt speaker, and sensitive microphone.
- Keypad includes 3 relays, 1200 codes, with latching & momentary operation + more.
- BS316 marine grade stainless steel construction with gloss black face trim.
- Built for tough environments.
- Kit includes speech panel, antenna, power supply & install manual.
- For Plus model additional features, please refer to pg2.