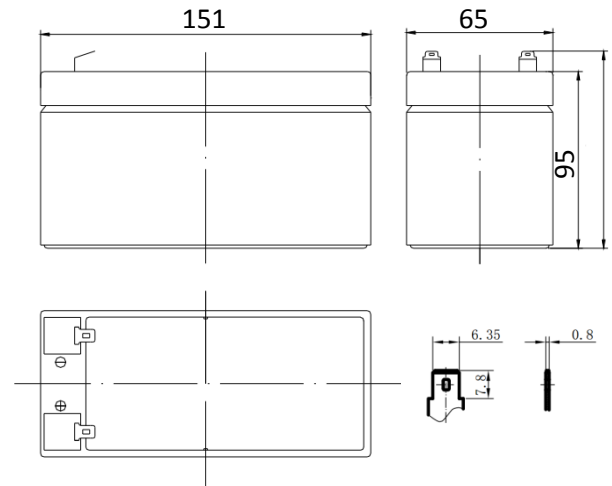


Power Charge X-CEL 12V9Ah Battery Specifications

With larger capacities, bigger terminals and a fantastic reputation, the Power Charge X-CEL has emerged as the superior battery for demanding applications where it is impossible to use Gel due to size restriction and cost. The addition of tin into the lead plates allows this battery to have stronger cyclic capabilities and manage heavy charge and discharge cycles more efficiently.

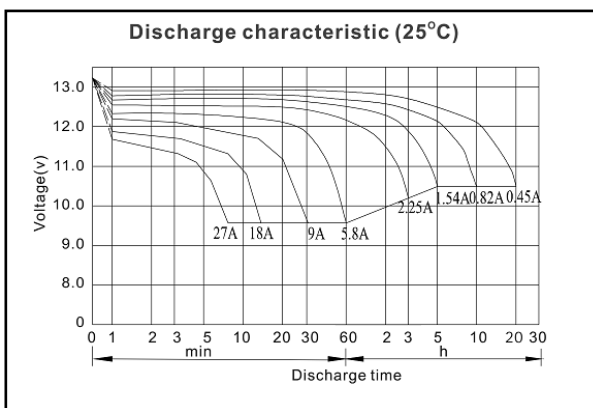
SPECIFICATIONS

Voltage	12 Volt nominal
Number of cells	6
Design life	10 years
Nominal Capacity 25°C	
20Hr rate (10.5V)	9Ah
10Hr rate (10.5V)	8.1Ah
5Hr rate (10.5V)	7.5Ah
Dimensions	151(L)x65(W)x95(H)
Weight	2.7Kg
Plates	Virgin pure lead / 1.6% Tin Grid Alloy
Terminal	F2
Container/cover	ABS
Charge voltage	Cycle: 2.35 vpc at 25°C Float: 2.25 vpc at 25°C
Internal Resistance	18mΩ 25°C - Fully charged Battery
Electrolyte	Sulphuric acid
Vent	Self-sealing
Operating temperature:	-20°C to +60°C
(However it is recommended that the batteries be operated in the temperature range of 20 to 30°C to obtain full life and optimum performance.)	



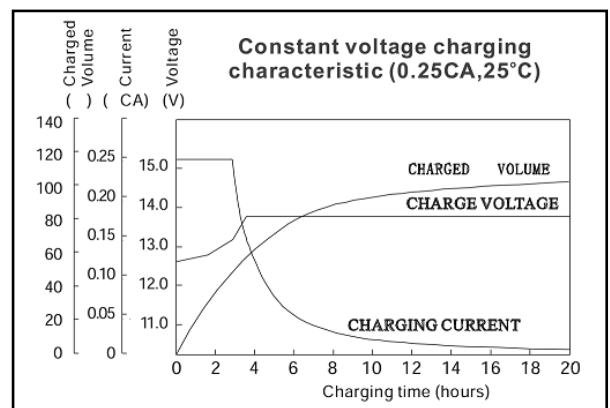
Discharge Constant Current (Amperes at 25°C)

End Point Volts/Cell	15min	30min	1h	3h	5h	10h	20h
1.75V	14.6	8.91	5.65	2.20	1.50	0.81	0.45



Discharge Constant Power (Watts at 25°C)

End Point Volts/Cell	15min	30min	1h	3h	5h	10h	20h
1.75V	30.2	17.6	10.7	4.08	2.92	1.46	0.77



Power Charge X-CEL 12V9Ah Battery Specifications

