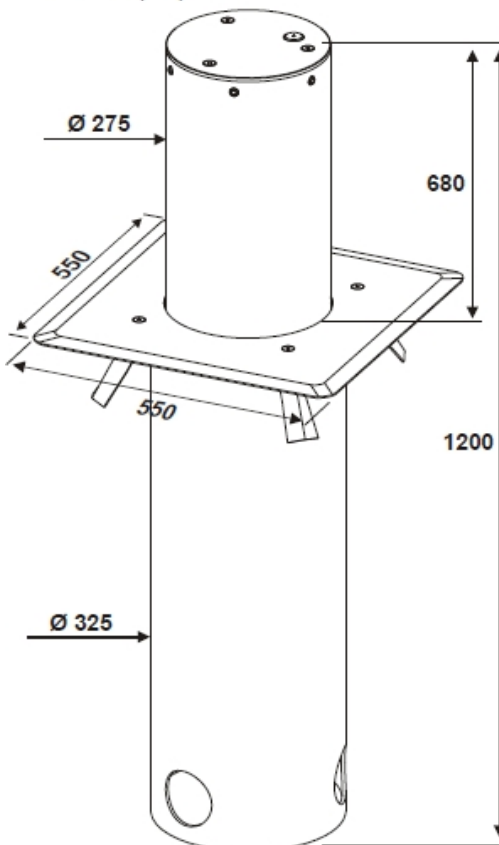


# Bull

## SPECIFICATIONS

CONTROL UNIT -	900CT-D100
POWER SUPPLY -	240 VOLT AC
MOTOR POWER -	240 VOLT AC
PROTECTION -	IP55
RATED ABSORBED POWER -	330 WATTS
MOTOR ABSORPTION -	1.65 AMPS
BATTERY BACK UP OPTION -	NO
SOLAR POWER OPTION -	NO
OPENING TIME -	7 SECONDS
BOLLARD DIMENSIONS -	275MM X 680MM
CYCLES PER DAY -	500
RUNNING TEMPERATURE -	-20 TO +55 DEGREES
BASE DIMENSIONS -	1200H X 550W X 550D
WEIGHT -	105 KG

DIMENSIONS (mm)



Made by high quality hydraulics manufacturer SEA in Italy the Bull is the big guy of the range. With a whopping diameter of 275mm and height of 680mm the Bull means business. Completely self contained hydraulics means easy installation and perfect for retro fit. The Bull has LED lights and up to three bollards can be run off one logic control board. We can also manufacture the Bull in an anti terrorism version for high security sights such as military posts or embassy and government buildings.



<http://www.road-barriers.com.au>