



Joint Hydro

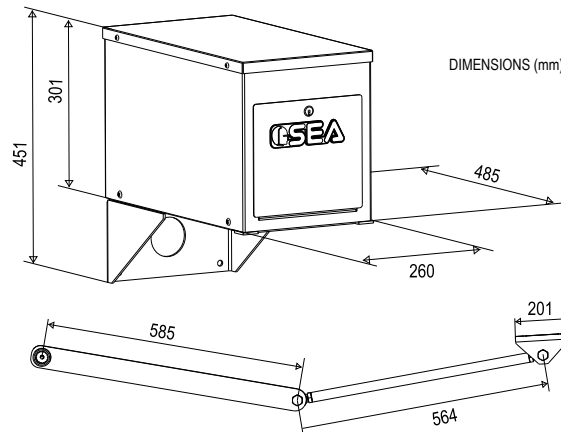
HYDRAULIC SWING GATE OPERATOR FOR LARGE PILLARS AND LEAF UP TO 4 M OR MAX 500 KG WEIGHT

Swing Gates •



Manual release through door

- Suitable for installation on large columns where the distance D is less 45 cm
- Very quiet, powerful and reliable hydraulic operator
- Speed of 8 sec at 90 °
- Slowdown during opening and closing
- Integrated control unit
- Internal limit switch system with cams
- Optionally available 24V with batteries
- Metal cover with treatment and powder painting
- Possible configuration Master/Slave
- On request PLUS version for higher speed or higher torque
- In option padmount plate



AUTOMATIC SOLUTIONS