



Lepus Box - 1500 Fast



- Reliability of Gearmotors in oil bath
- All main parts are produced and tested in the SEA facilities
- Robust, cataphoresis- treated polyester paint sheet housing for heavy-duty applications of industrial type
- Manual release hidden behind a lid with key for max. security
- Standard encoder (Obstacles detection sensor) for max. anti crushing operation safety
- GATE1 DG control unit for all demanding functions
- LEPUS BOX FAST with frequency variator for opening up to 450 mm/sec



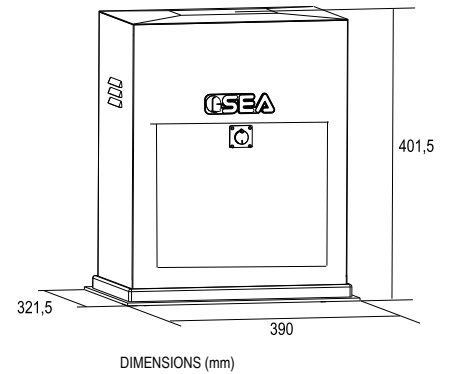
Mechanical limit switch with lever



Internal photo



Mechanical twin-disc clutch



**AUTOMATIC
SOLUTIONS**