

**ALT 4**  
**ALT 6**  
**ALT 4K**  
**ALT 6K**



**(IT) MANUALE ISTRUZIONI**  
**(GB) INSTRUCTION MANUAL**  
**(F) MANUEL D'EMPLOI**  
**(D) BEDIENUNGSANLEITUNG**  
**(E) MANUAL DE INSTRUCCIONES**  
**(P) MANUAL DE INSTRUÇÕES**  
**(PL) INSTRUKCJA OBSŁUGI**



**Key Automation S.p.A**



Organizzazione con Sistema  
di Gestione certificato  
Company with Management  
System certified  
ISO 9001:2008

**SINCERT**

## INDEX

IMPORTANT REMARKS.....	16
TECHNICAL FEATURES.....	17
INSTALLATION TYPE.....	17
EXTERNAL DIMENSIONS.....	18
INSTALLATION.....	18
ASSEMBLY.....	19
UNLOCK.....	19
APPLICATION OF THE ARTICULATED ARM.....	20
ADJUSTMENT OF STOP MICROSWITCH.....	20
ELECTRICAL CONNECTION.....	21
PROGRAMMING.....	26
BATTERY.....	28
DISPOSAL.....	28

### IMPORTANT REMARKS

For any installation problems please contact Key Automation S.p.A. TEL. (+39) 0421 307456

Key Automation S.p.A. has the right to modify the product without previous notice; it also declines any responsibility to damage or injury to people or things caused by improper use or wrong installation.



**Please read this instruction manual very carefully before installing and programming your control unit.**

- This instruction manual is only for qualified technicians, who specialize in installations and automations.
- The contents of this instruction manual do not concern the end user.
- Every programming and/or every maintenance service should be done only by qualified technicians.

### **AUTOMATION MUST BE IMPLEMENTED IN COMPLIANCE WITH THE EUROPEAN REGULATIONS IN FORCE:**

**EN 60204-1** (Machinery safety. electrical equipment of machines, part 1: general rules)

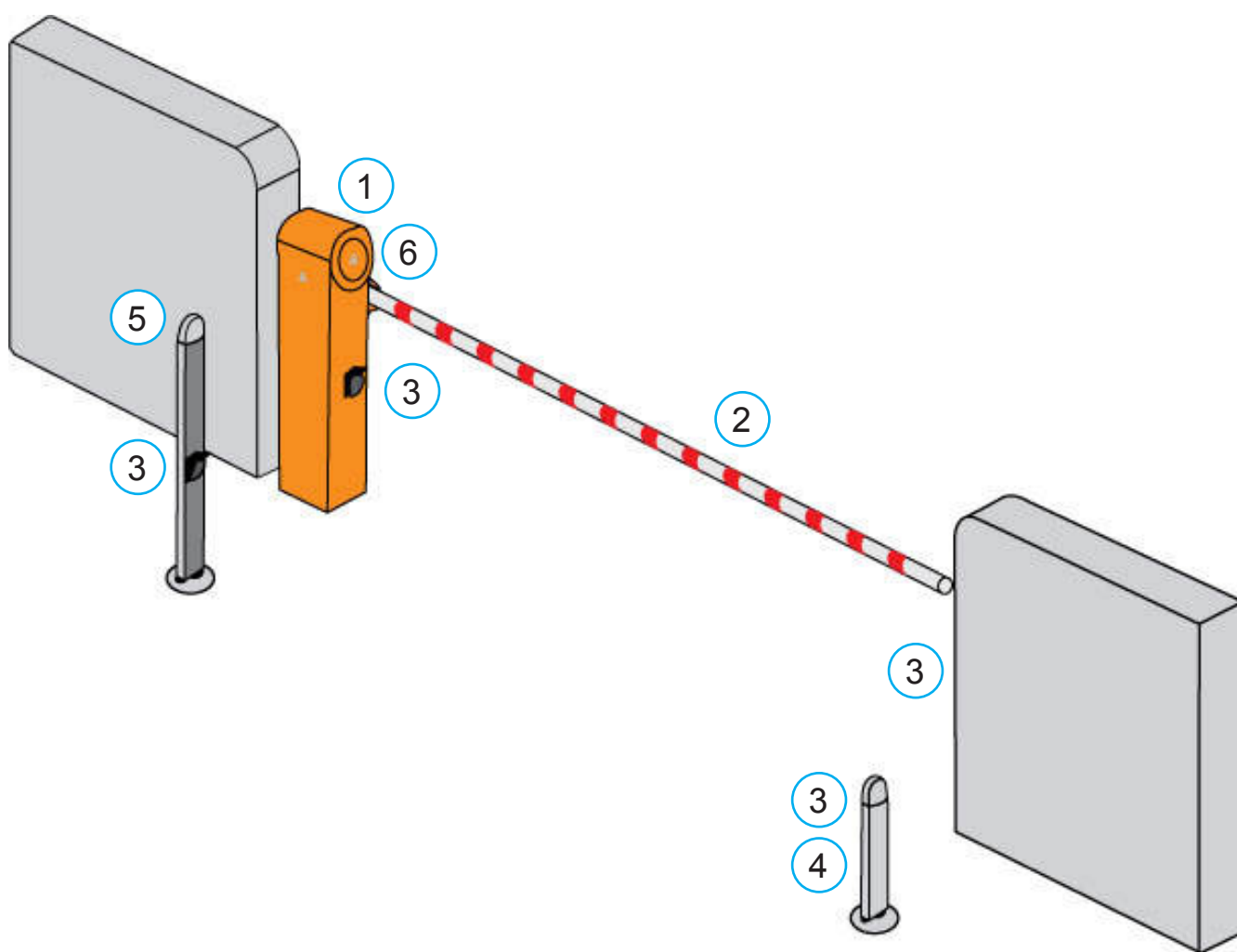
EN 12445 (Safe use of automated locking devices, test methods)

**EN 12453** (Safe use of automated locking devices, requirements)

- The installer must provide for a device (es. magnetothermal switch) ensuring the omnipolar sectioning of the equipment from the power supply. The standards require a separation of the contacts of at least 3 mm in each pole (EN 60335-1).
- The plastic case has an IP55 insulation; to connect flexible or rigid pipes, use pipefittings having the same insulation level.
- Installation requires mechanical and electrical skills, therefore it shall be carried out by qualified personnel only, who can issue the Compliance Certificate concerning the whole installation (Machine Directive 2006/42/CEE, Annex IIA).
- The automated vehicular gates shall comply with the following rules: EN 13241-1, EN 12453, EN 12445 as well as any local rule in force.
- Also the automation upstream electric system shall comply with the laws and rules in force and be carried out workmanlike.
- The door thrust force adjustment shall be measured by means of a proper tool and adjusted according to the max. limits, which EN 12453 allows.
- We recommend to make use of an emergency button, to be installed by the automation (connected to the control unit STOP input) so that the gate may be immediately stopped in case of danger.
- The appliance is not to be used by children or persons with reduced physical, sensory or mental capabilities, or lack of experience and knowledge, unless they have been given supervision or instruction.
- Children being supervised do not play with the appliance.

MODELS AND CHARACTERISTICS	900BR4	900BR4-24	900BR-624	900BR4-24K	900BR-624K
Control unit	CT-101	CT-24SBA	CT-24SBA	CT-24SBA	CT-24SBA
Power supply	230 Vac	24 Vdc	24 Vdc	24 Vdc	24 Vdc
Input power	155 W	150 W	150 W	150 W	150 W
Motor revs	1400 rpm	1200 rpm	1200 rpm	1200 rpm	1200 rpm
Motor absorption	0,67 A	6 A	6 A	6 A	6 A
Condenser	8 $\mu$ F	-	-	-	-
Opening time	4,5 sec	5 sec	10 sec	5 sec	10 sec
Maximum length of rod	4 m	4 m	6 m	4 m	6 m
Temporary service	60 %	80 %	80 %	80 %	80 %
Operating temperature	-20° +70°C	-20° +70°C	-20° +70°C	-20° +70°C	-20° +70°C
Weight	35 Kg	35 Kg	43 Kg	35 Kg	43 Kg

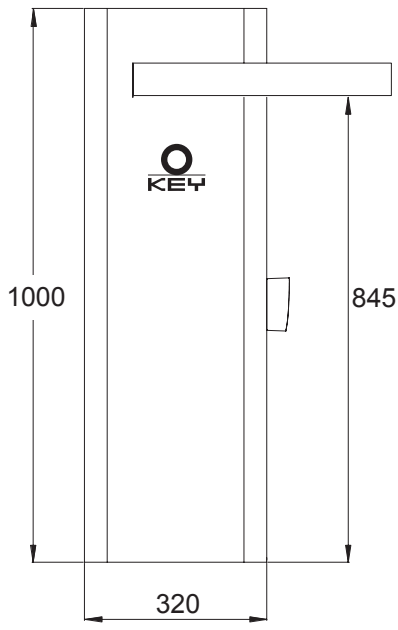
## INSTALLATION TYPE



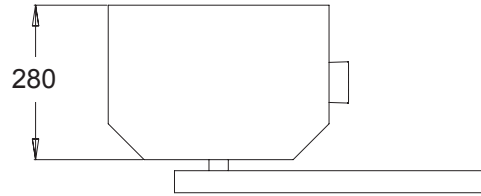
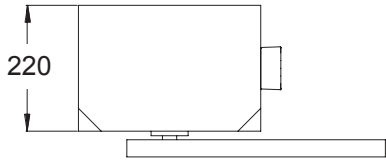
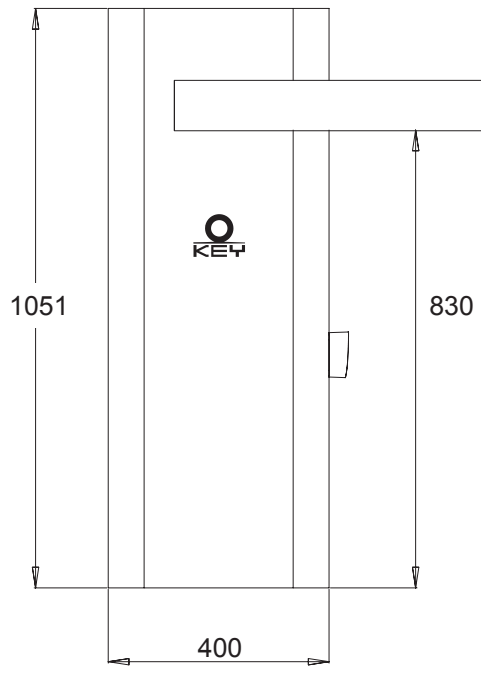
1	Barrier gate
2	rod
3	Photocellules
4	Photocell column
5	Key or digital operated selector switch
6	Flashing light on the BRK

# OVERALL DIMENSIONS

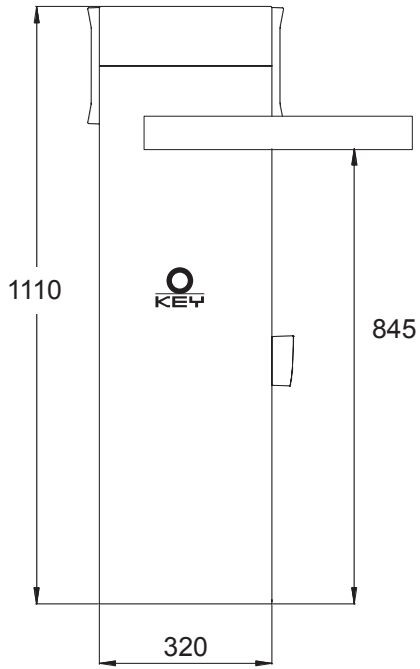
900BR4  
900BR4-24



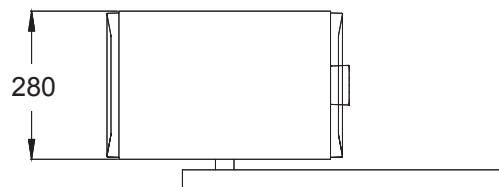
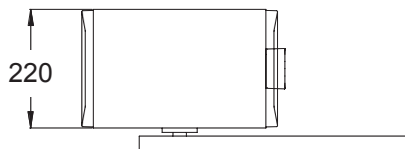
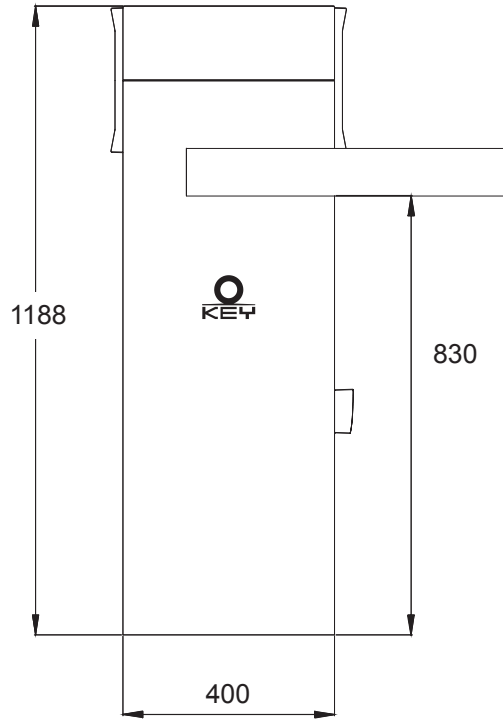
900BR-624



900BR4-24K



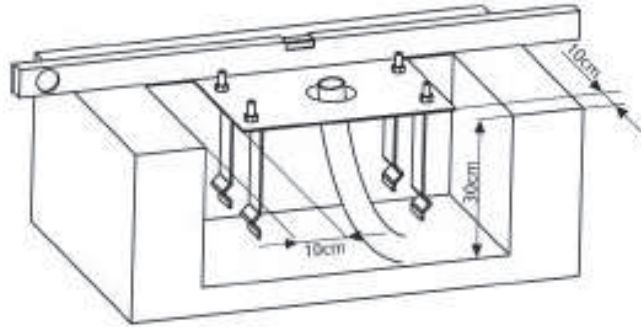
900BR-624K



ENGLISH

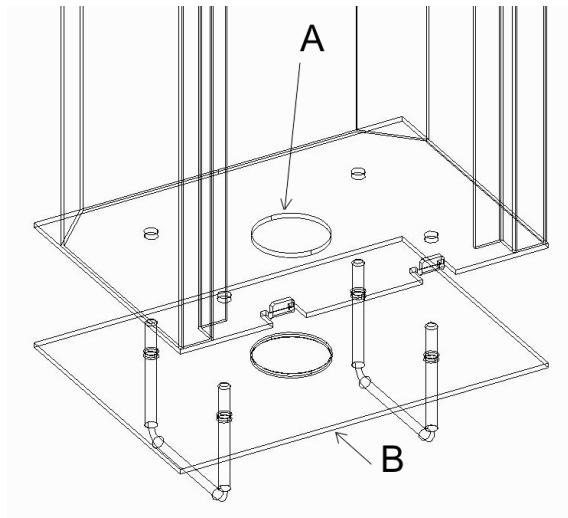
## PREPARATION FOR AUTOMATION OF THE BASE

1. Provide a foundation pit and arrange one or more conduits for the passage of the electrical cabling.
2. Assemble the 4 anchoring brackets on the mounting plate and fasten with the 4 bolts provided.
3. Pour the concrete into the inside of the pit and position the base plate.



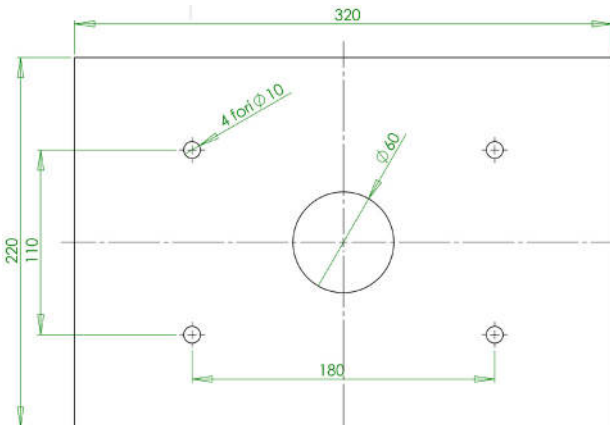
**!** NOTE: verify that the plate is perfectly leveled and parallel to the opening barrier.

4. Wait for the complete setting of the concrete.

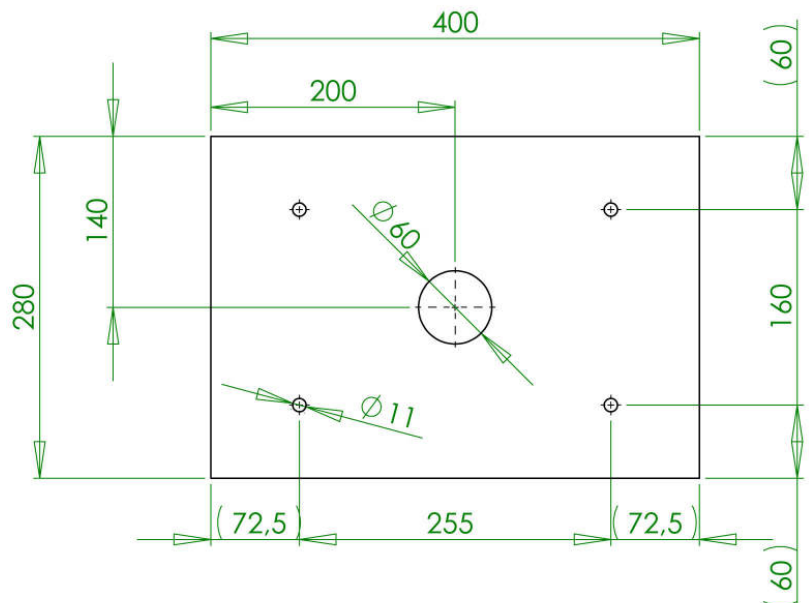


5. Unscrew the 4 nuts that hold the base joined to the anchoring brackets and position the rack on the plate.

**mounting plate-BR**



**mounting plate-BR6**



## ASSEMBLY

Open the packaging and check the condition of all the parts of the automation.

Construct a fastening pad in reinforced concrete and sink the anchoring base with tangs (optional) fastened with the nuts provided.

Check that it is perfectly level and that the cable passage sheaths cross the centre hole of the counter-plate.

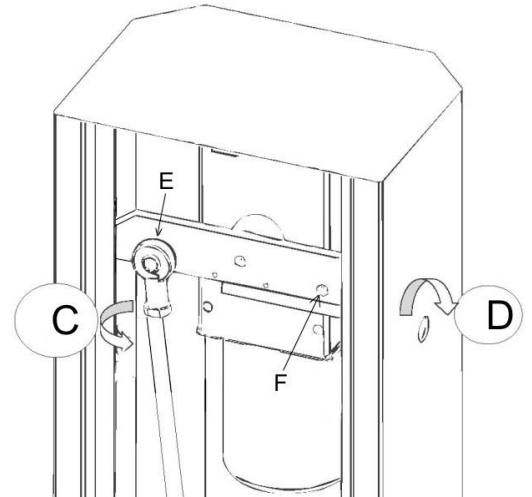
Position the barrier and check that there are no obstacles to the movement of the rod.

**ATTENTION: never move the barrier rod for any reason until it is horizontal, and do not perform the emergency or manual manoeuvre if the rod is not installed.**

## RELEASE

If you need to perform manual actions on the barrier rod, proceed as follows:

- Cut the power supply.
- Insert the release key provided and remove the latch, insert the Allen wrench and turn it 90° (see fig. 2 ref. D).
- In this way you can detach the internal reduction system to allow the emergency manoeuvre.
- Perform the manual manoeuvre.
- To engage the transmission again, turn the Allen wrench back to its original position and close the lock.
- You can now restore the power supply and check that everything is working correctly.



## ADJUSTMENT OF ROD ANGLE

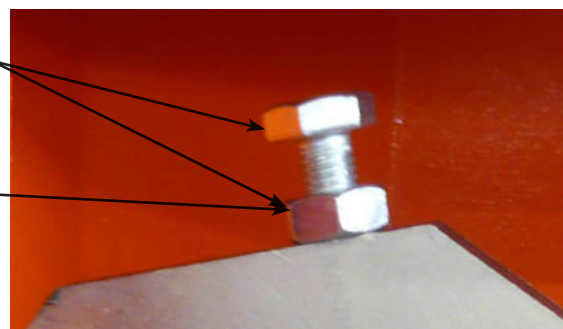
If you need to adjust the stops of the rods, proceed as follows:

- Loosen the locking nut (located on the box for BR-V, BR4-24 and BR4-24K or on the rocker arm for BR-624 and BR-624K).
- Adjust the screw to the desired height.
- Fasten the locking nut back in place.

Loosen the lock nut

Adjust the screw to the desired height.

Fasten the lock nut.



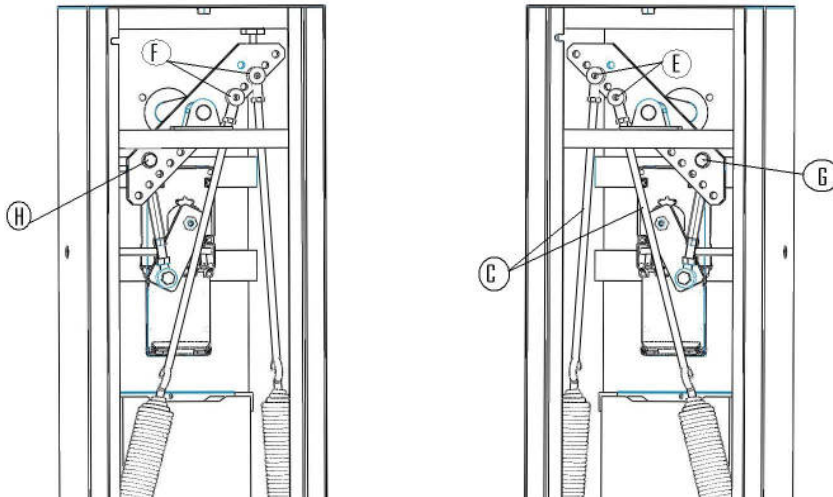
## INVERSION OF DIRECTION OF OPENING AND BALANCING

### Version BR-V, BR4-24 and BR4-24K

- Turn off the power supply and, with the manual manoeuvre, place the rod vertical, restore the transmission and remove the rod to prevent hazardous conditions.
- Open the door, loosen the tension system of the spring and then release it from the upper fastening.
- Remove the fastening screw so as to free the spring in the upper part and allow it to be positioned on the opposite side of the fastening lever.

### Version BR-624 and BR-624K

- Turn off the power supply and, with the manual manoeuvre, place the rod vertical, restore the transmission and remove the rod to prevent hazardous conditions.
- Open the door, loosen the tension system of the springs and then release the springs from the upper fastening.
- Remove the fastening screws so as to free the springs in the upper part and allow them to be positioned on the opposite side of the fastening lever.
- Unscrew the lever so as to allow it to rotate and allow fastening of the springs in the opposite position.
- Fasten all in the indicated positions and tension the springs (see the paragraph on balancing).



## BALANCING

- Cut the power supply.
- Release the rod.
- Position the rod at about 45°.
- Loosen the locking nut(s) of the spring tensioner(s).
- If the rod tends to fall, adjust the spring tensioner(s) so that it is stopped.
- When balancing is complete, fasten the locking nut(s) again.
- Restore motorized operation by turning the release key in the opposite direction.
- Restore the power supply and check that everything works correctly.

## DISPOSAL



This product is composed of various components which may in turn contain pollutants. Do not dispose of it in the environment! Find out about the method for recycling or disposing of the product in compliance with current local laws

# SELF INSTALL - NEED TECHNICAL ASSISTANCE?

## OPTION 1: DIRECT WITH THE SERVICE DESK – QUICKEST AND MOST EFFECTIVE METHOD

Submit your enquiry direct with the service desk at – [service@automaticsolutions.com.au](mailto:service@automaticsolutions.com.au)

The service desk has the most experienced staff in Australia to help with your problem but they need your help.

- Describe your problem in detail and as clearly as possible. Don't forget to include a telephone number.
- Be certain to detail which model or models of you are working with.
- Send photos of the installation – they love photos. The people at the service desk are good but they are even better when they can see the installation. Send photos of the overall scene so they can see the entire installation. Also send photos of the wiring to the control board and any other part of the installation you think is relevant.
- Send video if appropriate. Smartphone's these days take remarkably good video in small file sizes which can be emailed in a moment. If your problem needs a video to show the issue please feel free to send it.

**NOTE: THIS IS BY FAR THE FASTEST AND MOST SUCCESSFUL WAY TO SOLVE YOUR PROBLEM  
PHOTOS AND VIDEOS ARE THE NEXT BEST THING TO BEING THERE**

## OPTION 2: LODGE YOUR ENQUIRY LOCALLY - SLOWER BUT CAN STILL BE EFFECTIVE

Make contact with the store of purchase. Branch staffs are typically not technicians and dependent on their length of service will have varying degrees of technical knowledge. If they cannot help however they will certainly either source help locally from their technicians or make contact with the service technicians on your behalf.

## OPTION 3: SERVICE CALL WITH AUTOMATIC SOLUTIONS TECHNICIAN – SLOWEST METHOD

If you fall within the local branch service area it may be possible to book a local technician to look at your installation. Wait times will vary dependent on local workloads. The cost is a service fee which includes the first half hour and the hourly rate thereafter. If any Automatic Solutions provided parts are found to be defective and within warranty these will be provided free of charge.

(NOTE: If you suspect that any parts are defective and within warranty you may wish to consider option 4)

*A note on this option: If you decide on this option you will be asked to sign an "authorisation to proceed" which will provide legal authority and payment security. This form has three options available of which only the first two are available to you. The third option is for warranty repairs only for full install customers. Self install customers requiring warranty only service need to refer to option four below.*

**IMPORTANT: IN SHORT THIS OPTION WILL INCUR CHARGES**

## OPTION 4: RETURN THE PRODUCT IF BELIEVED TO BE FAULTY

As a self install customer who has purchased product if you believe the product to be faulty rather than an installation or site problem you have the option of returning the product for evaluation and to exercise your right to a replacement, repair or refund as applicable. All returned product is forwarded immediately to the service technicians for evaluation and response. There are two main methods available to return product –

- Direct to the service centre – this is the quickest method as it cuts out the branch delay
- Via the branch of purchase – slower because of the delay at the branch

When choosing this option you need to complete a product return form. This form gives you all the information on procedure involved and where to send to. These are available at the branch of purchase, can be emailed to you (contact your branch), or available here - <http://automaticsolutions.com.au/page/warranty.php>