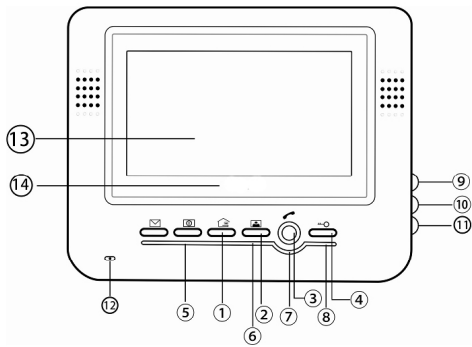


KC-D6A3 Users' Manual

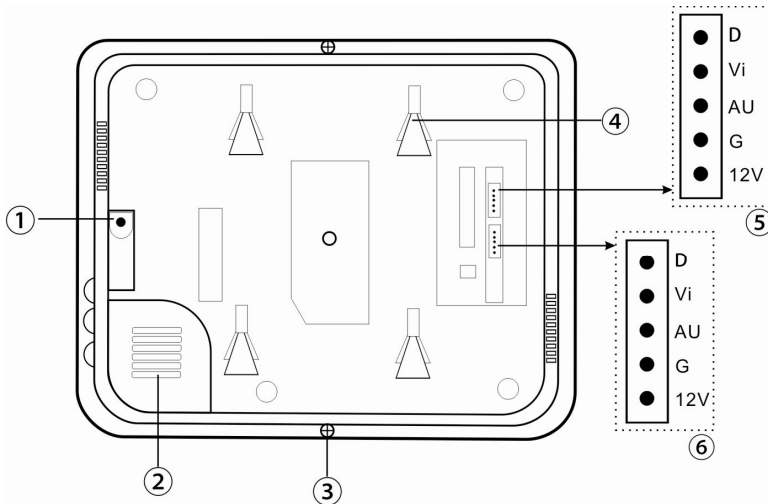
I . VIEW

1.Front view



① Function Button	⑨ Color Adjusting
② Monitor Button	⑩ Brightness Adjusting
③ Answer Button	⑪ Volume Adjusting
④ Unlock Button	⑫ MIC
⑤ Power Indicator	⑬ Screen
⑥ Monitor Indicator	⑭ Logo
⑦ Answer Indicator	
⑧ Unlock Indicator	

2.Rear view



① Power plug
② Speaker
③ Screws
④ Hanging board hole
⑤ This terminals use to connect wires from indoor phone to indoor phone. The connection lines must be connected with two terminals with the same letter from each indoor phone;
⑥ This terminal use to connect wires from indoor phone to door station. The connection lines must be connected with two terminals with the same letter.

D Exclusive signal line (in a system with more than one indoor phone. This line is used to cut off the signal from other indoor phones when one of the indoor phones is at work.)

Vi Video line connect with Vi on door unit.

AU A line for talk, unlock and signal.

G Common line, connect with door station G

12V Power supply from indoor phone to door station

II . FUNCTION

- 1 Two way communication
- 2 Remote unlock
- 3 Monitoring
- 4 Inner calling

- 5 Adjustable brightness, color and contrast
- 6 Adjustable talk volume
- 7 Changeable chord melody (3 tones)
- 8 Adjustable ring tone volum
- 9 Exclusive signal function
- 10 Auto shut down

III. OPERATION

1. Talk: Press “Answer” button to communicate with the visitor when the indoor phone rings.
2. Unlock: In talking or monitoring state, press “Unlock” button to release the door.
3. Monitor: In waiting mode, press “Monitor” button to view the image from door station.
4. Inner calling: When the system has two indoor phones or more. In waiting state, press “Answer” button on any of these indoor phones, it will ring other indoor phones, but the screens don’t turn on. And then press “Answer” button to have inner talking, the max talk time is 60 seconds.
5. Adjusting brightness and color: Turn the “Brightness Adjusting ”button and “Color Adjusting” button to adjust the image brightness and color.
6. Adjusting talk volume: Scroll “Volume Adjusting” button to adjust the talk volume.
7. Select music: Press and hold “Monitor” button until it rings, press “Function” button to change the music, and then press “Monitor” button to confirm. There are 3 music for option.
8. Adjusting music volume: Press and hold “Function” button, until it rings, press “Monitor ”button to change the volume, and then press “Function” button to confirm. There are 3 volumes for optional.
9. Exclusive signals: In a system with more than one indoor phone. The indoor phones in this will all ring when someone press “Call ”button on the door station, one of the indoor phones answers the call, other indoor doors will auto shut down.
10. Auto shut down: In the monitoring state, the screen will auto come back to standby state in 30 seconds.

In the talk status, the indoor phone will auto come back to standby status in 100 seconds.

When someone call the indoor phones, it would auto come back to standby state in 40 seconds if no answer.

IV. TECHNICAL SPECIFICATIONS :

Temperature: -40℃~70℃

Relative humidity: 45%~95%

Atmospheric pressure: 86~108Kpa

Fire endurance rating: IP33

Working voltage: DC12V~DC15V

Static current: 14mA

Working current: 230mA

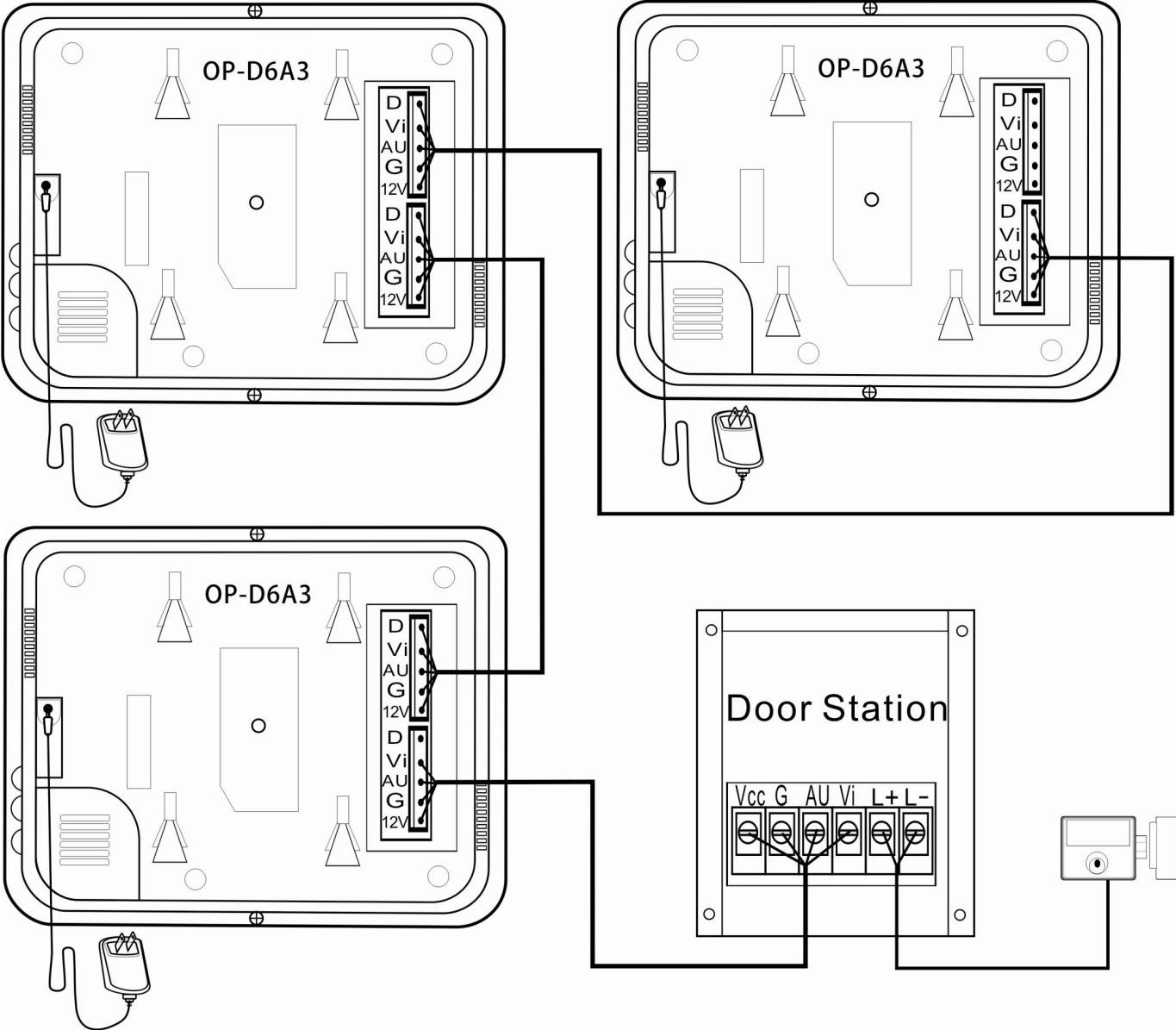
Screen: 7' inch LCD

Dimension: 236*190*38mm

Installation: Wall mounted

N.W: 768g

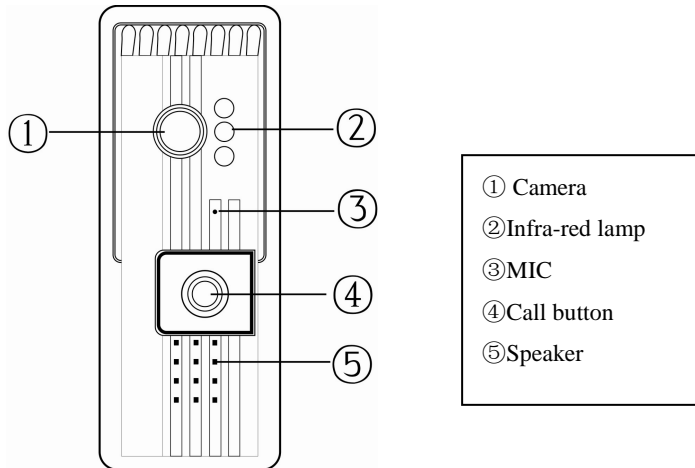
V. PROGRAMMING



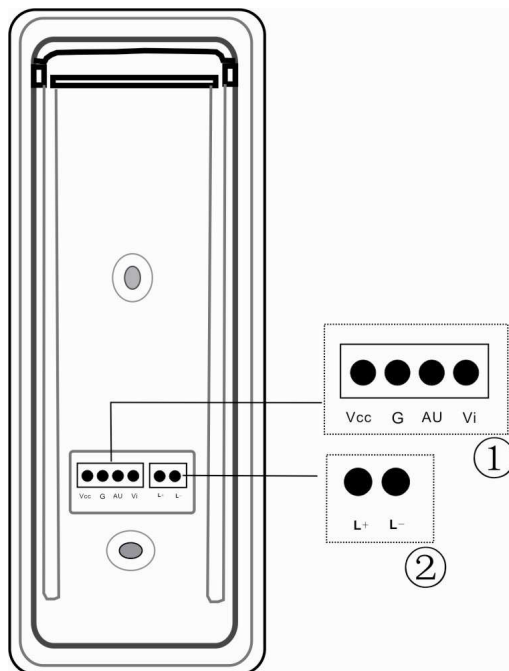
KC-D6D3 USER'S MANUAL

I VIEW

1. Front view



2. Rear view



- ① Wire terminals
② 30W connect with lock, high level is effective, consumption 30W.

- Vi Video line connect with indoor phone Vi
 AU AU talking, calling and unlock line, connect with indoor phone AU
 G A common line, connect with indoor phone G
 12V Power supply of door unit, connect with indoor phone 12V
 L+ Connects with lock. This line can be the signal line if it's not used for the lock, high level is for unlocking.
 L- Connect with lock. This line can be the common line if it's not used for the lock.

II FUNCTIONS

- 1 Two way communication
- 2 Unlock
- 3 Transmit video image
- 4 Power indicator

- 5 IR camera
- 6 Explosion proof

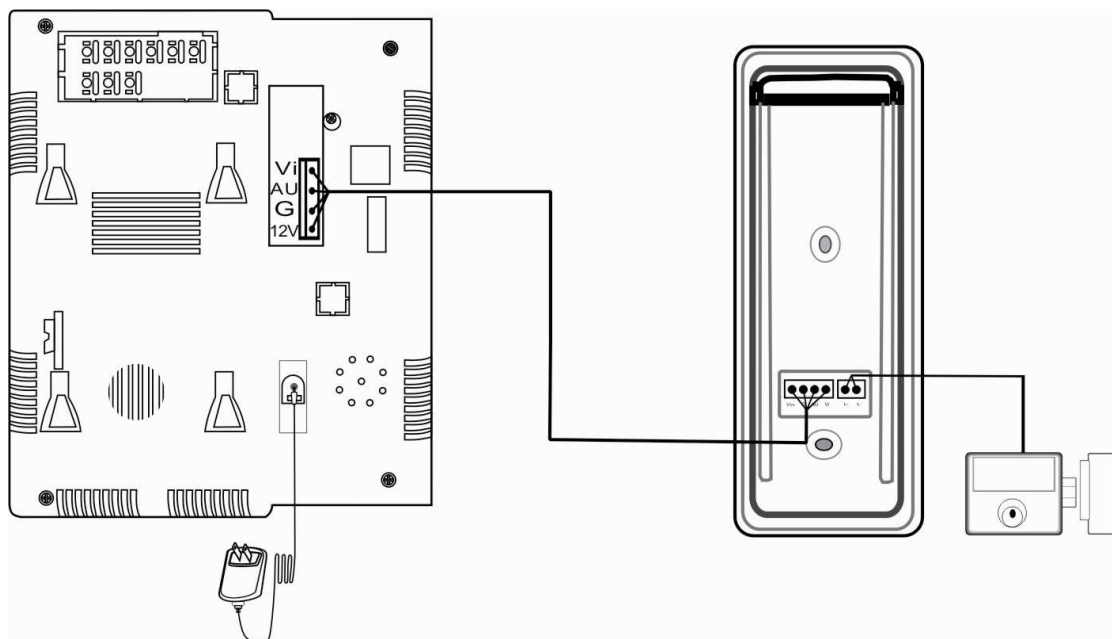
III OPERATION

Calling: press “Call” button to call the indoor phone and talk with the householder of the indoor phone.
The householder can unlock the door by pressing “Unlock” button

IV TECHNICAL SPECIFICATIONS

- Temperature: -40°C ~ 70 °C
- Relative humidity: 45%~95%
- Atmospheric pressure: 86Kpa~108Kpa
- Fire endurance rating: IP33
- Working voltage: DC12~DC15V
- Static current: 0.17mA
- Working current: 150mA
- Camera: Color 420L; B/W 480L
- Appearance size: 182*69*50mm
- Embedded size: 182*69*50mm
- N.W: 840g

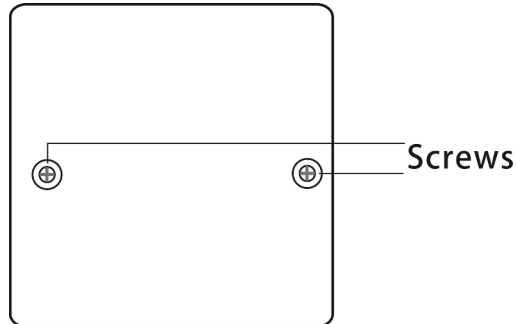
V PROGRAMMING



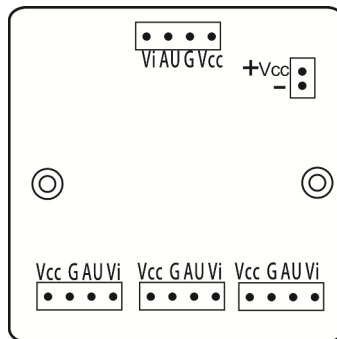
OP-GL1 SWITCHER USER'S MANUAL

I . VIEW

1. Front view



2. Rear view



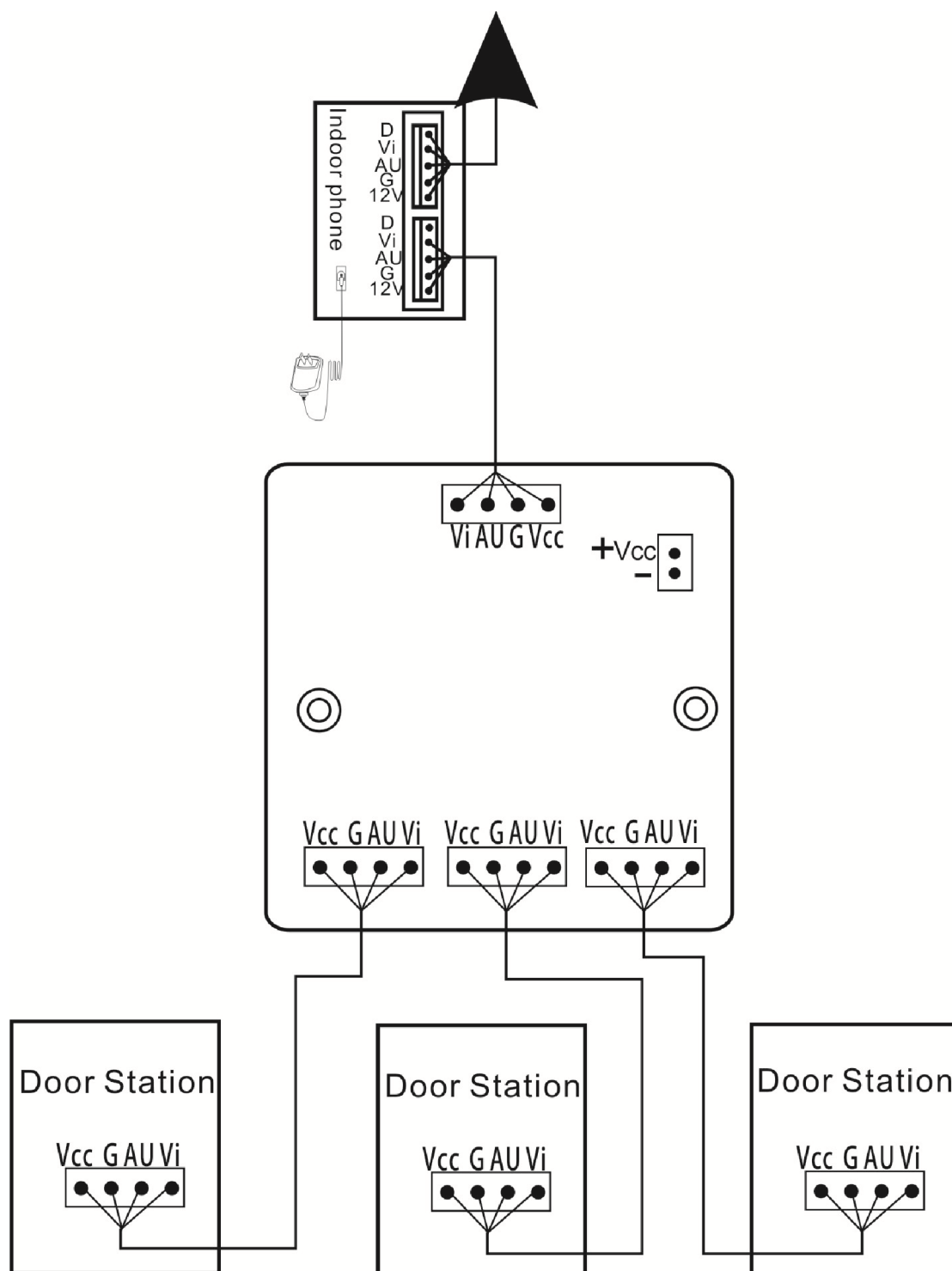
II . FUNCTION

A switcher can Max. work for 3 door units, the way it works is: When one of the door units is properly working, the switcher will auto cut off all data from other two door units, to let this door unit work exclusively.

III. TECHNICAL SPECIFICATIONS:

- Temperature: $-40^{\circ}\text{C}\sim 70^{\circ}\text{C}$
- Relative humidity: 45%~95%
- Atmospheric pressure: 86Kpa~108Kpa
- Fire endurance rating: IP33
- Working voltage: DC12V~DC15
- Static current: 7mA
- Working current: 27mA
- Dimension: 86*86*45mm
- Installation: Flush mounted or wall mounted.

IV. PROGRAMMING



NOTICE: In some models Terminal "VCC" is instead of "12V", please be informed that terminal "VCC" and "12V" in all of our products are the same meaning.