

Master code:
Serial number:

GUIDA ALL'INSTALLAZIONE

INSTALLATION GUIDE
INSTALLATIONSANLEITUNG
NOTICE D'INSTALLATION
GUÍA PARA LA INSTALACIÓN

TSG-4RP

Tastiera digitale via radio con codici programmabili Rolling Code

Wireless digital keypad with programmable Rolling Codes

Digitale Funktastatur mit programmierbaren Codes vom Typ Rolling Code

Clavier numérique via radio avec des codes programmables Rolling Code

Botonera digital por radio con códigos programables Rolling Code

D-MNLOTSG4RP 26-10-2011 - Rev.00



IT - Istruzioni originali



MADE IN
ITALY



Via Enrico Fermi, 43 - 36066 Sandrigo (VI) Italia
Tel +39 0444 750190 - Fax +39 0444 750376
info@tauitalia.com - www.tauitalia.com

Wireless digital keypad with programmable ROLLING CODES, working with all TAU control units featuring built-in receivers or RXDC-series receivers.

Can be used to handle up to a max. of 4 codes.

Each keypad comes with a personalized Master code (see label on cover) and 4 standard codes already entered for the 4 positions:

Code 1 = 1111

Code 2 = 2222

Code 3 = 3333




Code 4 = 4444


1_ INSTALLING THE KEYPAD

- Separate the keypad's front cover from the battery housing base;
- connect the battery to the keypad's front cover as illustrated in fig. 1;
- suitably fasten the battery housing base to whichever surface you are using (use the 6mm Ø expansion bolts included in the kit if you are fastening the keypad to a wall; or use 4mm Ø self-drilling screws for iron or steel surfaces; or 4mm Ø self-tapping screws for wood and other such surfaces), making sure you position the keypad with the battery compartment on the right (fig. 2) so that the jumper on the back of the front cover is not damaged when you close the keypad back up (fig. 2);
- once the battery housing base is attached to the surface, fit the keypad's front cover with the battery connected, using the 2 screws provided to fasten it in place (fig. 3).

2_ PROGRAMMING THE CODES





To program a new personalized code, proceed as follows:

- 1_ Press the  key (the green LED will start flashing);
- 2_ enter the Master code followed by the  key (the LED will flash quicker);
- 3_ enter the new code followed by the key corresponding to the desired position (from 1 to 4);
- 4_ press the  key (the LED will go off).

To open the desired entrance, enter the relevant code followed by the  key (the LED stays steadily lit to advise you that the command signal has been sent).

3_ CHANGING THE MASTER CODE

To change the Master code, proceed as follows:

- 1_ Press the  key (the green LED will start flashing);
- 2_ enter the default Master code (see label on cover) followed by the  key (the LED will flash quicker);
- 3_ press the  key (the LED will flash even quicker);
- 4_ enter the new Master code (max. 8 digits) followed by the  key (the LED will go off).



At this point, the new code has been stored in the memory. We recommend you write the new Master code down somewhere.

4_ RESETTING THE MEMORY

In the event you need to restore the keypad's factory settings, proceed as follows:

- 1_ Disconnect the battery once you have separated the keypad's front cover from the battery housing base;
- 2_ move the jumper from position J1 to position J2 (fig. 4);
- 3_ reconnect the battery and press any key (the green LED will stay steadily lit);
- 4_ move the jumper back to position J1 (with the battery connected).


This restores the original Master code (the one featured on the label on the cover).



Resetting the memory also has the effect of DELETING the codes set for the 4 positions. Consequently, you will need to repeat the programming procedure to enter the codes.

5_ SENDING THE CODE TO THE RECEIVER

Before you start sending the code, make sure the receiver is in programming mode (press the relevant button – once to select channel 1 on the receiver; twice for channel 2; 3 times for channel 3; and 4 times for channel 4 – the red LED corresponding to the channel selected will light to confirm you have entered programming mode) and then proceed as follows:

enter the code of the desired position followed by the  key.

The red LED on the control unit/receiver will go off to confirm that the code has been sent.

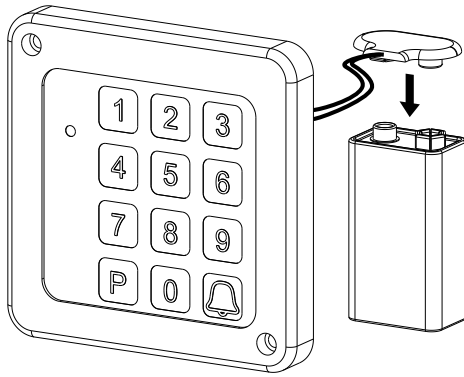


Fig. 1

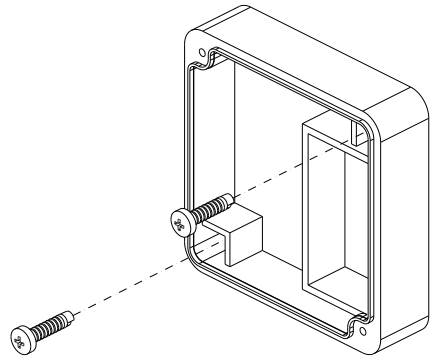


Fig. 2

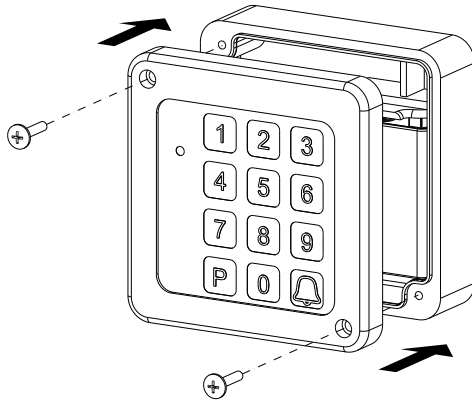
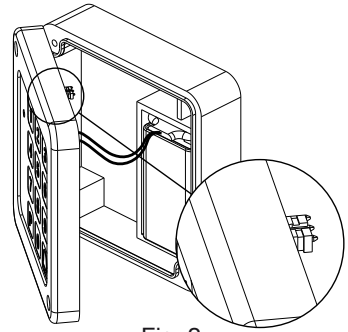


Fig. 3

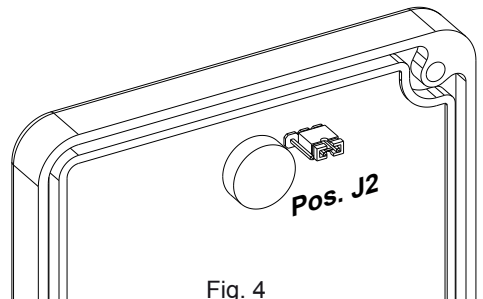
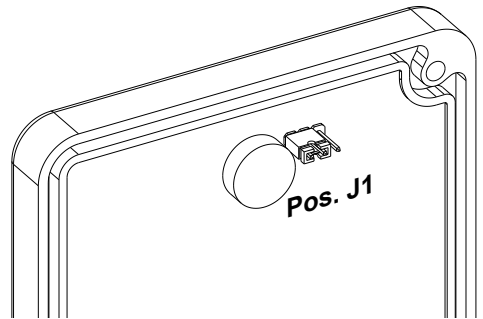


Fig. 4